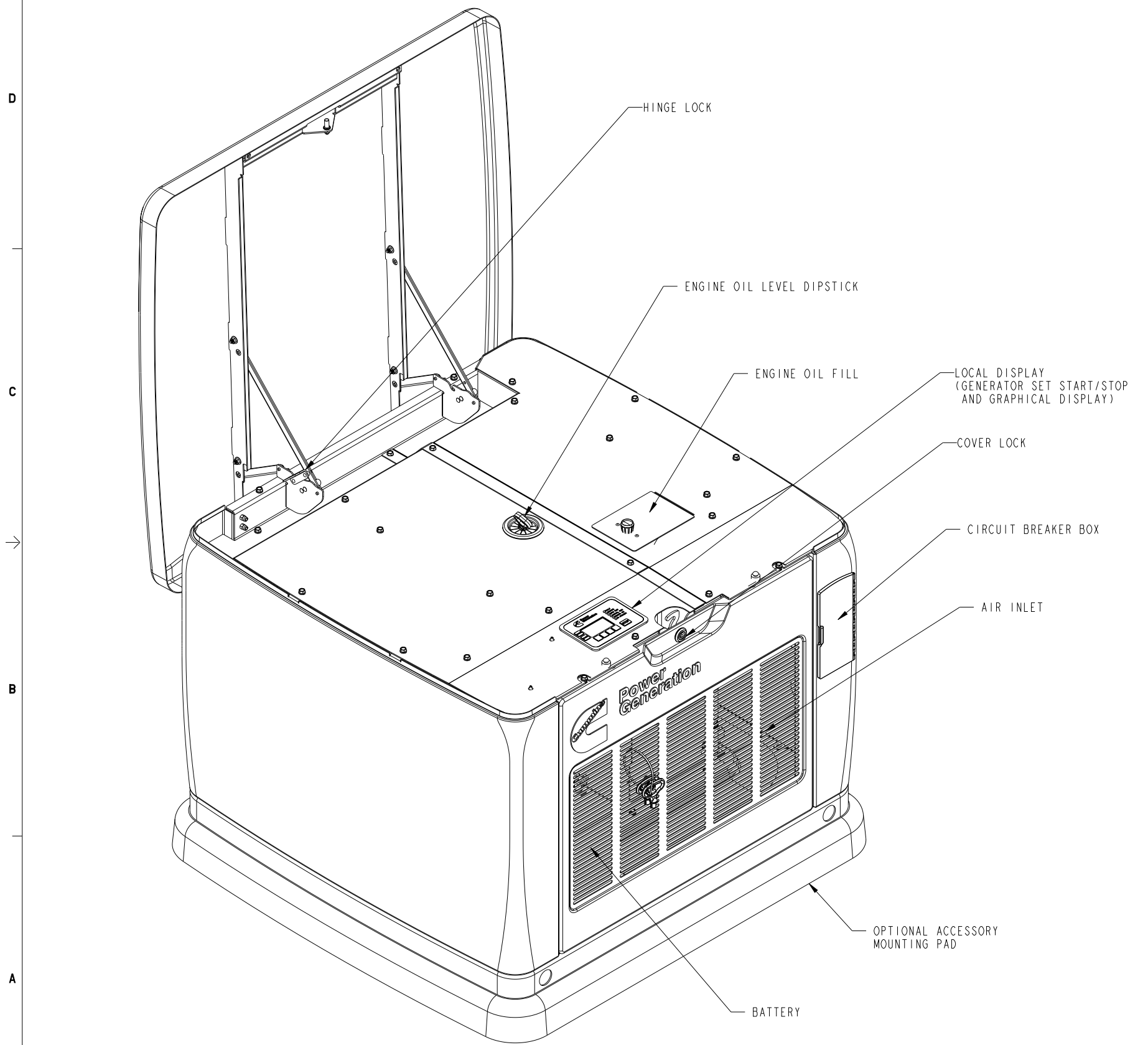


REL NO	REV	NO	REVISION	DWN	CKD	APVD	DATE
ECO-165422	D	1	SEE SHEET 2	BE	BE	D.GILLET	10OCT16

NOTES:

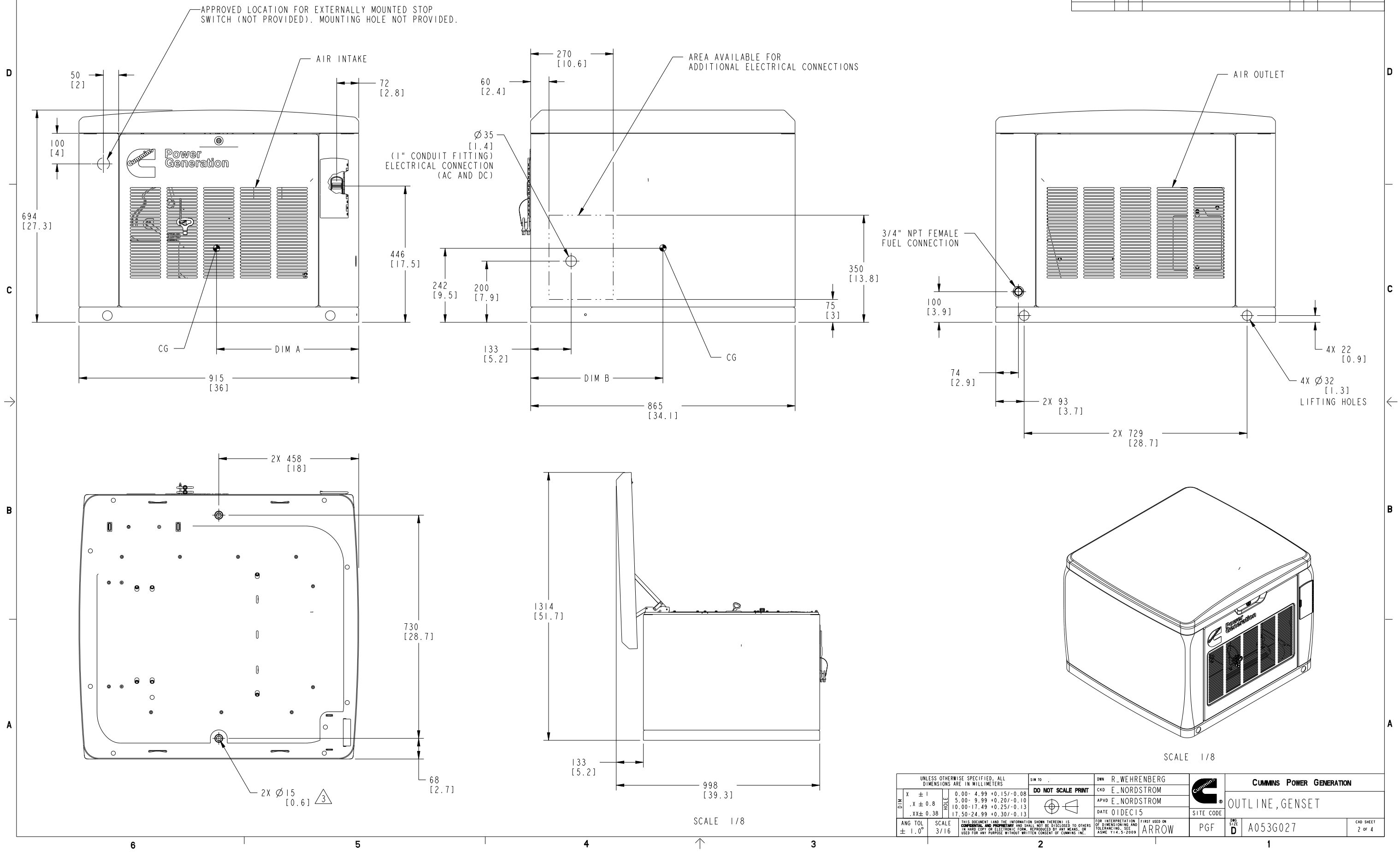
1. DIMENSIONS SHOWN IN [ ] ARE IN INCHES.
2. ELECTRICAL INTERFACE TO THE GENERATOR SET SHOULD BE WITH FLEXIBLE CONDUIT.
3. 2X MOUNTING SLEEVES 55 [2.2] LONG WITH Ø15 [0.6] THROUGH HOLE ARE PROVIDED LOOSE FOR SECURING GENERATOR SET TO MOUNTING SURFACE.
4. OIL DRAIN EXTENSION: 3/8 INCH ID HOSE.
5. FUEL INTERFACE TO THE GENERATOR SET MUST BE WITH AGENCY APPROVED FLEXIBLE FUEL LINE.
6. ACCESSORY MOUNTING PAD A052A795 APPROXIMATE WEIGHT 70 Kg (155 LB).

MODEL	DIM A	DIM B	GENERATOR SET WEIGHT	
			KG	LB
C13 N6H	449	432	217	479
C17 N6H	465	432	241	531
C20 N6H	465	432	241	531



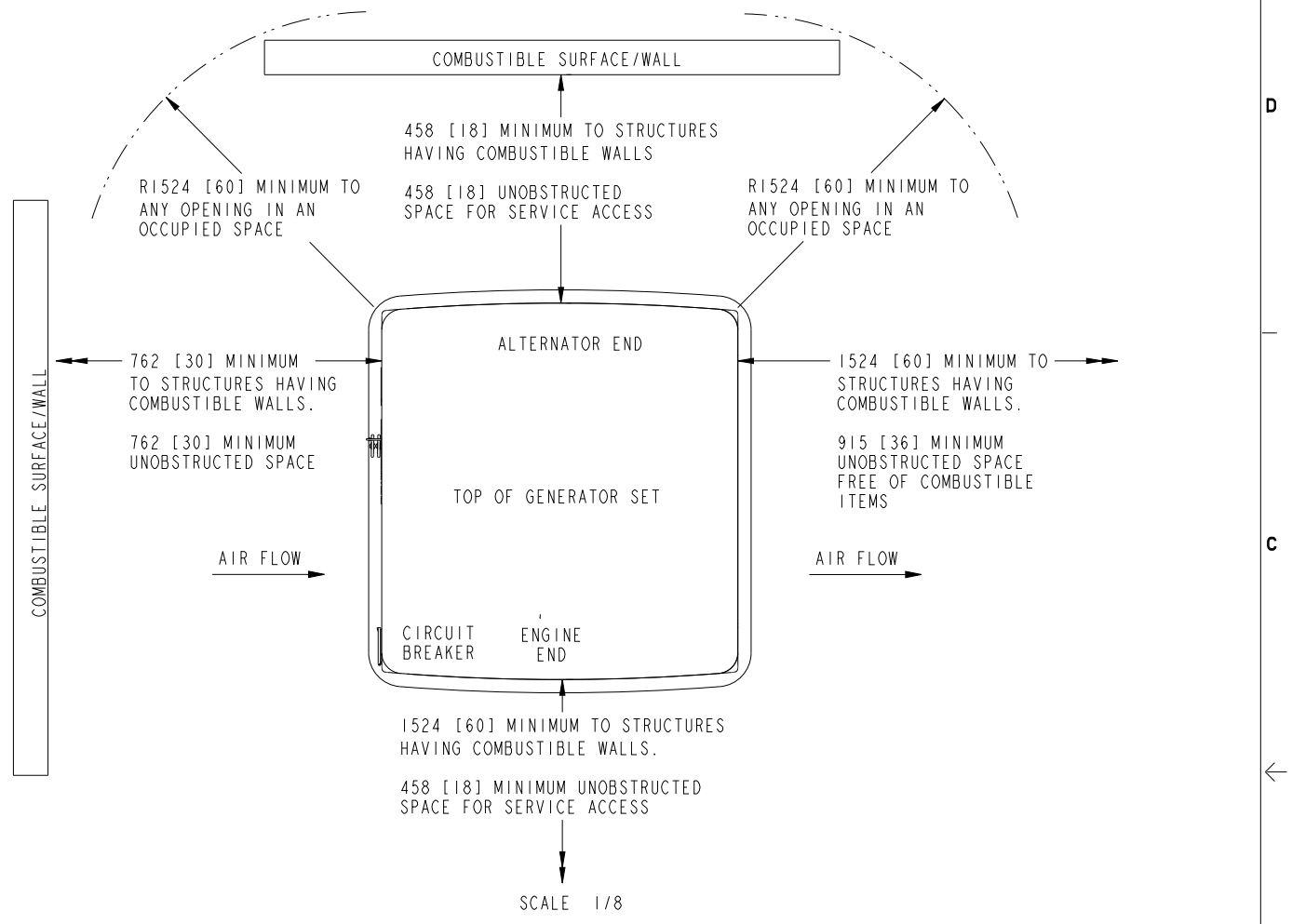
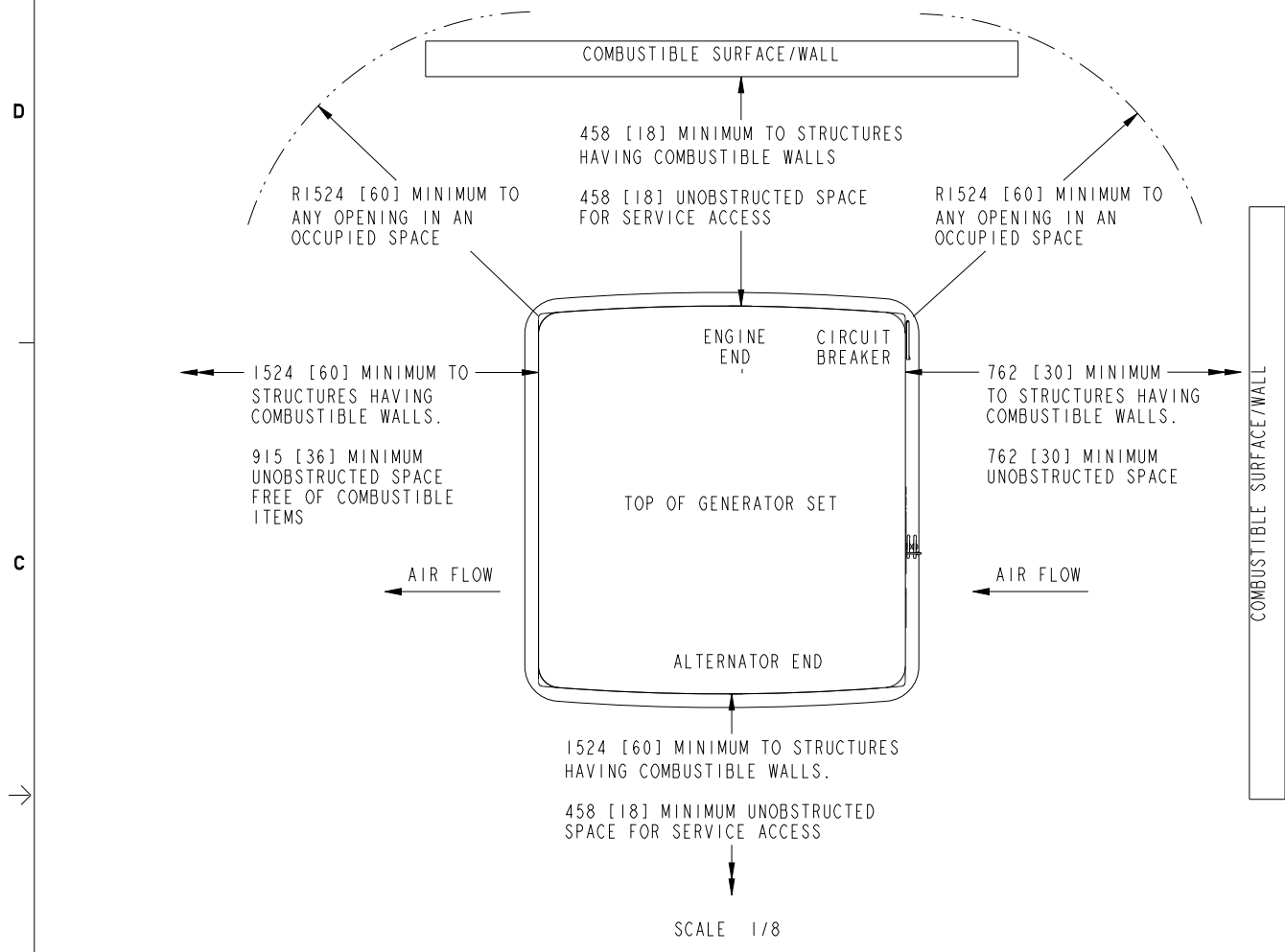
UNLESS OTHERWISE SPECIFIED, ALL DIMENSIONS ARE IN MILLIMETERS			SIM TO	DWN R.WEHRNBERG		CUMMINS POWER GENERATION
DIM	TOL		DO NOT SCALE PRINT	CKD E.NORDSTROM		OUTLINE, GENSET
X ± 1	0.00-4.99 +0.15/-0.08			APVD E.NORDSTROM	SITE CODE	
.X ± 0.8	5.00-9.99 +0.20/-0.10			DATE 01DEC15		
.XX ± 0.38	10.00-17.49 +0.25/-0.13			FIRST USED ON		
ANG TOL	SCALE	THIS DOCUMENT (AND THE INFORMATION SHOWN THEREON) IS CONFIDENTIAL AND PROPRIETARY AND SHALL NOT BE DISCLOSED TO OTHERS IN HARD COPY OR ELECTRONIC FORM, REPRODUCED BY ANY MEANS, OR USED FOR ANY PURPOSE WITHOUT WRITTEN CONSENT OF CUMMINS INC.	ARROW	PGF	D	A053G027
± 1.0°	3/16					CAD SHEET 1 of 4

REL NO	REV	NO	REVISION	DWN	CKD	APVD	DATE
ECO-165422	D	1	ZONE D6-ADD STOP SWITCH LOC AND DIMS	BE	BE	D.GILLET	10OCT16

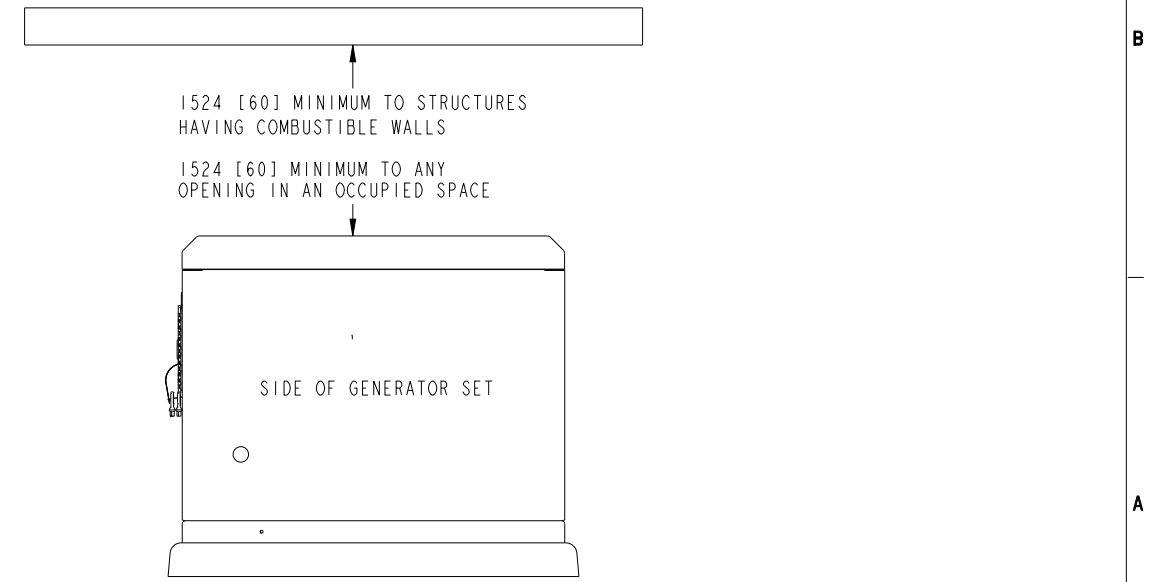
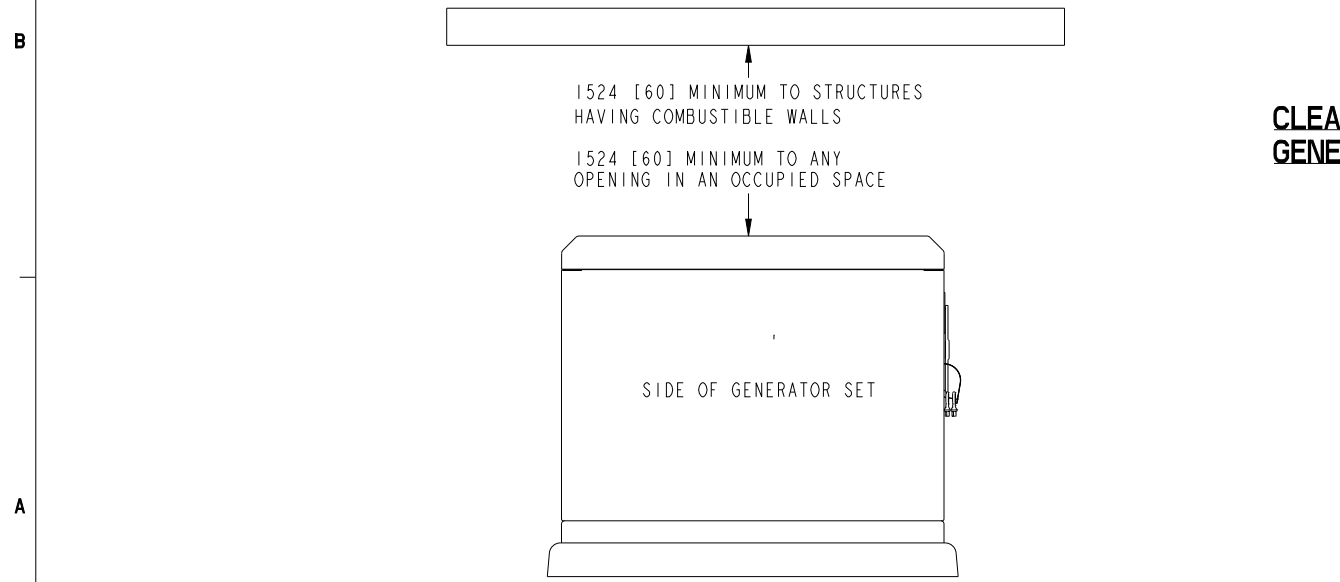


UNLESS OTHERWISE SPECIFIED, ALL DIMENSIONS ARE IN MILLIMETERS		SHW TO	DWN	CKD	APVD	DATE										
DO NOT SCALE PRINT			R_WEHREBERG	E_NORDSTROM	E_NORDSTROM	01DEC15										
<table border="1"> <tr> <th>DIM</th> <th>TOL</th> </tr> <tr> <td>X ± 1</td> <td>0.00- 4.99 +0.15/-0.08</td> </tr> <tr> <td>.X ± 0.8</td> <td>5.00- 9.99 +0.20/-0.10</td> </tr> <tr> <td>.XX ± 0.38</td> <td>10.00-17.49 +0.25/-0.13</td> </tr> <tr> <td></td> <td>17.50-24.99 +0.30/-0.13</td> </tr> </table>		DIM	TOL	X ± 1	0.00- 4.99 +0.15/-0.08	.X ± 0.8	5.00- 9.99 +0.20/-0.10	.XX ± 0.38	10.00-17.49 +0.25/-0.13		17.50-24.99 +0.30/-0.13					
DIM	TOL															
X ± 1	0.00- 4.99 +0.15/-0.08															
.X ± 0.8	5.00- 9.99 +0.20/-0.10															
.XX ± 0.38	10.00-17.49 +0.25/-0.13															
	17.50-24.99 +0.30/-0.13															
ANG TOL	SCALE	THIS DOCUMENT (AND THE INFORMATION SHOWN THEREON) IS CONFIDENTIAL AND PROPRIETARY AND SHALL NOT BE DISCLOSED TO OTHERS IN HARD COPY OR ELECTRONIC FORM, REPRODUCED BY ANY MEANS, OR USED FOR ANY PURPOSE WITHOUT WRITTEN CONSENT OF CUMMINS INC.		FOR INTERPRETATION OF DIMENSIONING AND TOLERANCING, SEE ASME Y14.5-2009												
± 1.0°	3/16	ARROW	PGF	D	A053G027	CAD SHEET 2 of 4										

REL NO	REV	NO	REVISION	DWN	CKD	APVD	DATE
ECO-165422	D	-	---	BE	BE	D. GILLET	10OCT16

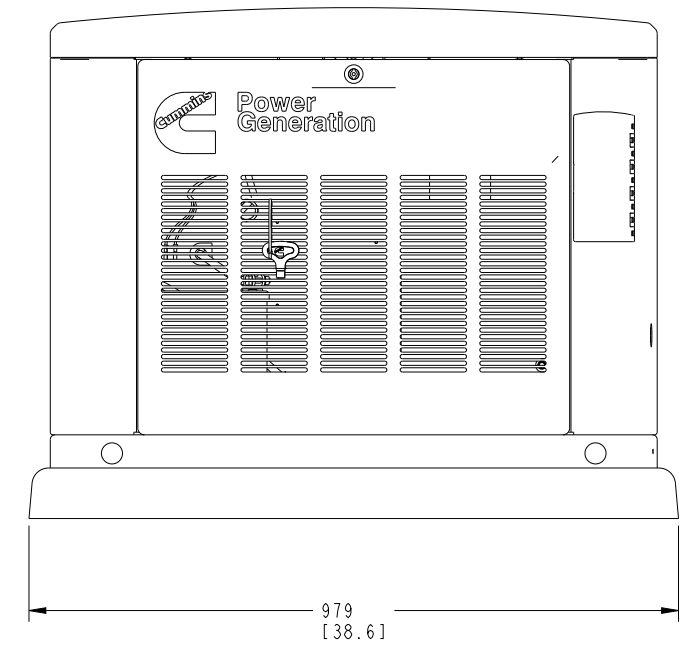
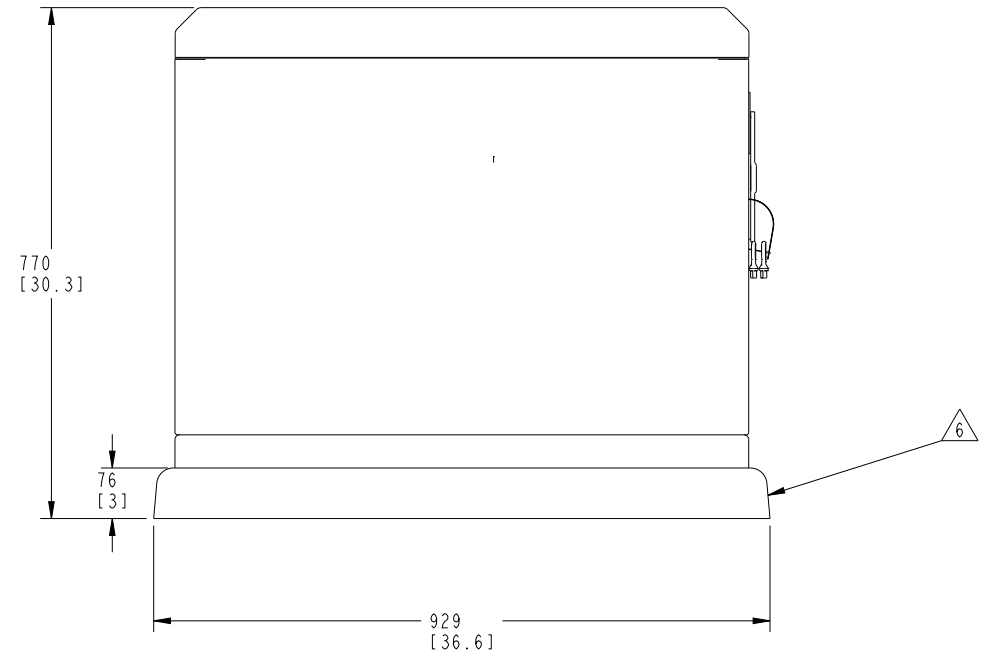


**CLEARANCE REQUIREMENTS FOR GENERATOR SET INSTALLATIONS**



UNLESS OTHERWISE SPECIFIED, ALL DIMENSIONS ARE IN MILLIMETERS		SHW TO	DWN R. WEHREBERG		CUMMINS POWER GENERATION								
DO NOT SCALE PRINT			CKD E. NORDSTROM		OUTLINE, GENSET								
DIM	TOLERANCE	<table border="1"> <tr> <td>X ± 1</td> <td>0.00 - 4.99 +0.15/-0.08</td> </tr> <tr> <td>.X ± 0.8</td> <td>5.00 - 9.99 +0.20/-0.10</td> </tr> <tr> <td>.XX ± 0.38</td> <td>10.00 - 17.49 +0.25/-0.13</td> </tr> <tr> <td></td> <td>17.50 - 24.99 +0.30/-0.13</td> </tr> </table>	X ± 1	0.00 - 4.99 +0.15/-0.08	.X ± 0.8	5.00 - 9.99 +0.20/-0.10	.XX ± 0.38	10.00 - 17.49 +0.25/-0.13		17.50 - 24.99 +0.30/-0.13	APVD E. NORDSTROM	SITE CODE	
X ± 1	0.00 - 4.99 +0.15/-0.08												
.X ± 0.8	5.00 - 9.99 +0.20/-0.10												
.XX ± 0.38	10.00 - 17.49 +0.25/-0.13												
	17.50 - 24.99 +0.30/-0.13												
ANG TOL	SCALE		DATE 01DEC15	PGF									
± 1.0°	3/16	<p>THIS DOCUMENT (AND THE INFORMATION SHOWN THEREON) IS CONFIDENTIAL AND PROPRIETARY AND SHALL NOT BE DISCLOSED TO OTHERS IN HARD COPY OR ELECTRONIC FORM, REPRODUCED BY ANY MEANS, OR USED FOR ANY PURPOSE WITHOUT WRITTEN CONSENT OF CUMMINS INC.</p> <p>FOR INTERPRETATION OF DIMENSIONING AND TOLERANCING, SEE ASME Y14.5-2009</p>	FIRST USED ON	DWG NO	CAD SHEET								
		ARROW	D	A053G027	3 of 4								

REL NO	REV	NO	REVISION	DWN	CKD	APVD	DATE
ECO-165422	D	-	---	BE	BE	D. GILLET	10OCT16



UNLESS OTHERWISE SPECIFIED, ALL DIMENSIONS ARE IN MILLIMETERS			SHW TO	DWN R_WEHREBERG		CUMMINS POWER GENERATION
DO NOT SCALE PRINT				CKD E_NORDSTROM		
DIM	X ± 1	0.00- 4.99 +0.15/-0.08		APVD E_NORDSTROM	SITE CODE	OUTLINE, GENSET
	.X ± 0.8	5.00- 9.99 +0.20/-0.10		DATE 01DEC15		
	.XX ± 0.38	10.00-17.49 +0.25/-0.13 17.50-24.99 +0.30/-0.13				
ANG TOL	± 1.0°	THIS DOCUMENT (AND THE INFORMATION SHOWN THEREON) IS CONFIDENTIAL AND PROPRIETARY AND SHALL NOT BE DISCLOSED TO OTHERS IN HARD COPY OR ELECTRONIC FORM, REPRODUCED BY ANY MEANS, OR USED FOR ANY PURPOSE WITHOUT WRITTEN CONSENT OF CUMMINS INC. FOR INTERPRETATION OF DIMENSIONING AND TOLERANCING, SEE ASME Y14.5-2009	SCALE 3/16	FIRST USED ON ARROW	PGF	D A053G027
						CAD SHEET 4 of 4

**Part A053G027 D**

Description	Legacy Name	External Regulations	Application Status	Release Phase Code	Security Classification	Alternates
OUTLINE,GENSET	A053G027	No External Regulations Apply	Production Only	Production	Confidential	

**Part Specifications :A053G027 D**

Name	Description	Legacy Name
A030B356	SPECIFICATION,MATERIAL	CES10903
A053G028	DRAWING,ENGINEERING	A053G028